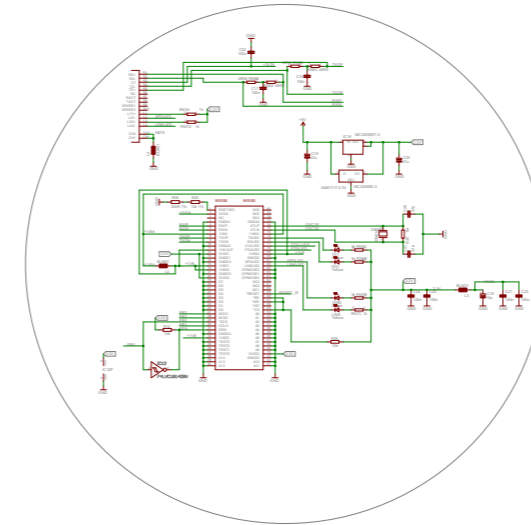


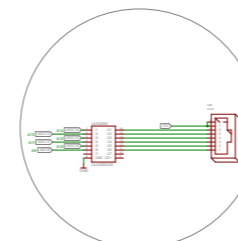
# Ferduino Mega 2560

## ARDUINO PINS

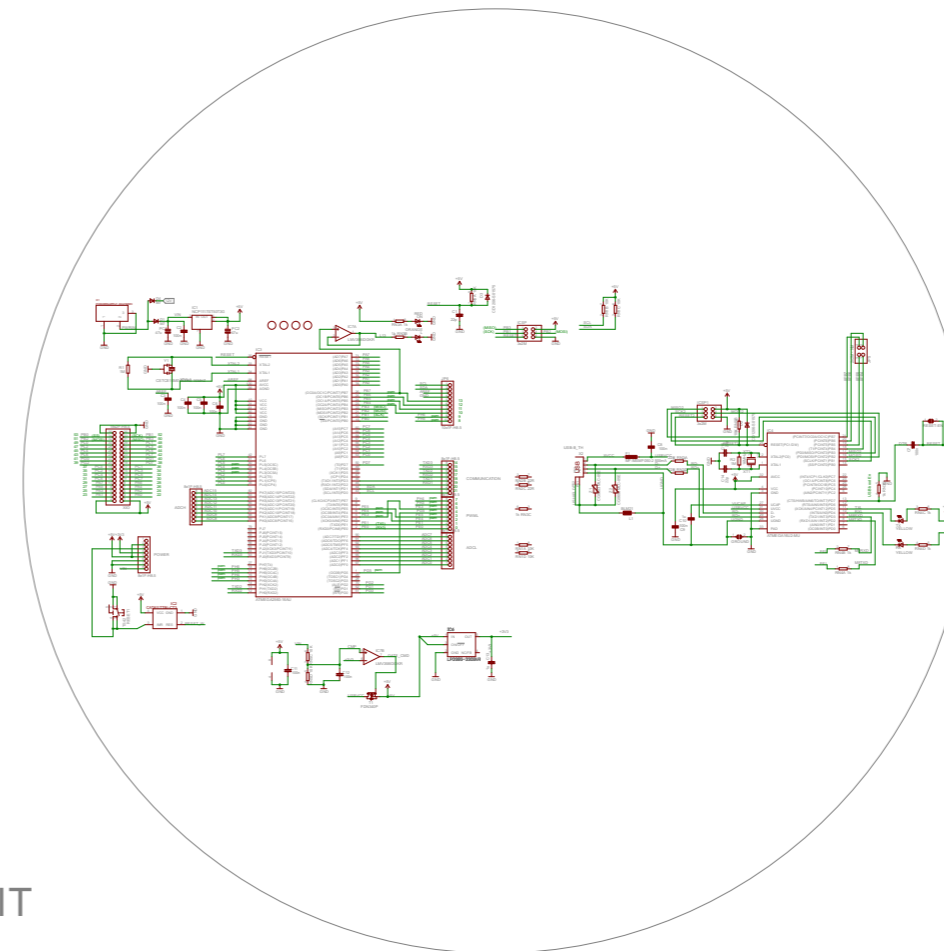
- 0 ALARM
- 1 COOLER DISABLE
- 2 RFM12B INTERRUPT
- 3 up to 7 TOUCH SCREEN
- 5 SD CHIP SELECT
- 8 up to 12 LEDS
- 13 PWM COOLERS
- 14 RX STAMPS
- 15 TX STAMPS
- 16 S0 STAMPS
- 17 S1 STAMPS
- 18 SDA RTC
- 19 SCL RTC
- 20 SDA PCF8575
- 21 SCL PCF8575
- 22 up to 41 TFT
- 42 and 43 RELAY
- 44 LED
- 45 and 46 WAVEMAKER
- 47 and 48 RELAY
- 49 TEMPERATURE
- 50 up to 52 SPI
- 53 SS ETHERNET
  
- A0 up to A5 LEVEL SENSORS
- A6 up to A8 RELAYS
- A9 up to A14 DOSING PUMPS
- A15 SS RFM12



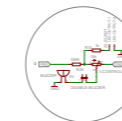
ETHERNET CIRCUIT



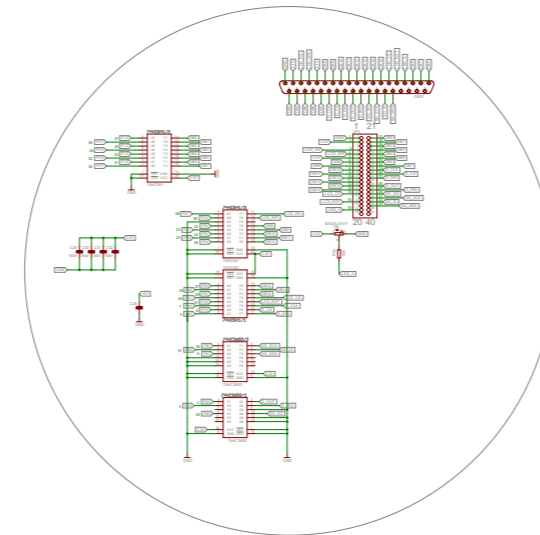
DOSING PUMPS CIRCUIT



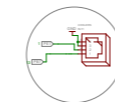
ARDUINO CIRCUIT



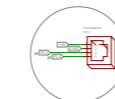
ALARM CIRCUIT



TFT CIRCUIT



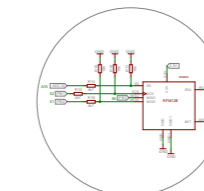
COOLERS CIRCUIT



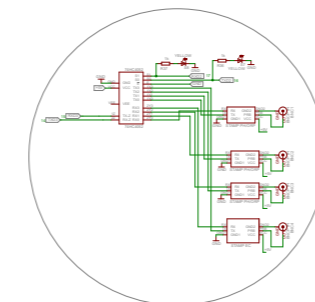
WAVEMAKER CIRCUIT



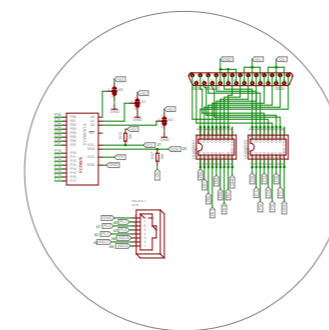
LEDS CIRCUIT



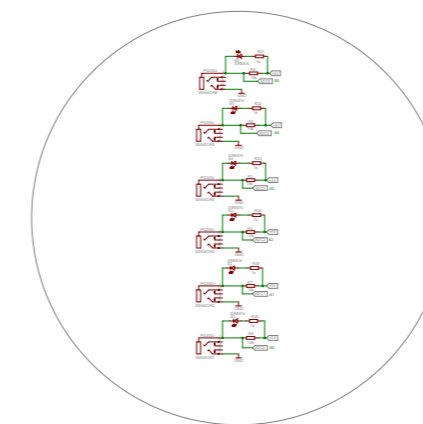
RF CIRCUIT



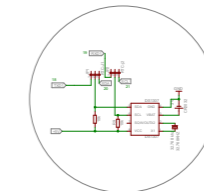
STAMPS CIRCUIT



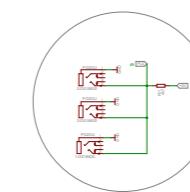
RELAYS CIRCUIT



LEVEL SENSORS



RTC CIRCUIT



TEMPERATURE CIRCUIT